



# Model 590 Detachable Level Transmitter

## How to Order

MODEL	UNITS OF PRESSURE	PRESSURE RANGE	SEALS	CABLE FORMAT	ACCURACY	CABLE LENGTH	OPTIONS
590	(1 digit)	(4 digits)	(2 digits)	(2 digits)	(1 digit)	(3 digits)	(2 digits)

### Units of Pressure

F	Feet of Water Column
I	Inches of Water Column
M	Meters of Water Column
P	PSI (Whole numbers only)

### Pressure Range

Any Range from 0-40 Inches Water Column up to 0-835 Feet Water Column or equivalent, can be specified at no additional cost.

\*Consult factory for range code

\*\*Please advise if specific gravity is other than 1

Example of Four Digit Codes:

Range	Four Digit Codes for Range
5	= 5 0 0 0 Insert Range Code 5000
10	= 1 0 0 1 Insert Range Code 1001
15	= 1 5 0 1 Insert Range Code 1501
50	= 5 0 0 1 Insert Range Code 5001
100	= 1 0 0 2 Insert Range Code 1002
250	= 2 5 0 2 Insert Range Code 2502
835	= 8 3 5 2 Insert Range Code 8352

### Seals

GK	Fluoroelastomer (FKM)
GD	Ethylene Propylene (EPDM)

### Cable Format

PC	Polyvinyl Chloride (PVC)
TL	Polyurethane Cable (PUR) *Stocked in select lengths for fast delivery
PA	Fluorinated Ethylene-Propylene (FEP)

### Accuracy

5	Ranges < 15 Ft. = +/- 0.50% FSO (BFSL)
3	Ranges ≥ 15 Ft. = +/- 0.35% FSO (BFSL)

### Cable Length

XXX Listed in Whole Meters Only (must be 3 digits - ex. 012 = 12 Meters)

### Options

EA	Special Calibration Run
PW	Calibrate item with meter/display
ZB	1/2" NPT Conduit Adapter



"ZB" Option

Information is accurate to the best of Viatran's knowledge. We reserve the right to change specifications at any time. Please contact Viatran for specific order inquiries.

98DS590 Rev F

Page 2

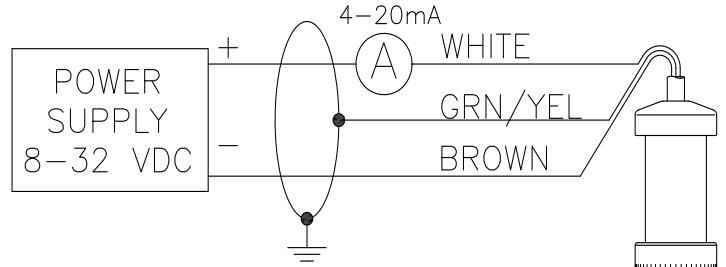


# Model 590 Detachable Level Transmitter

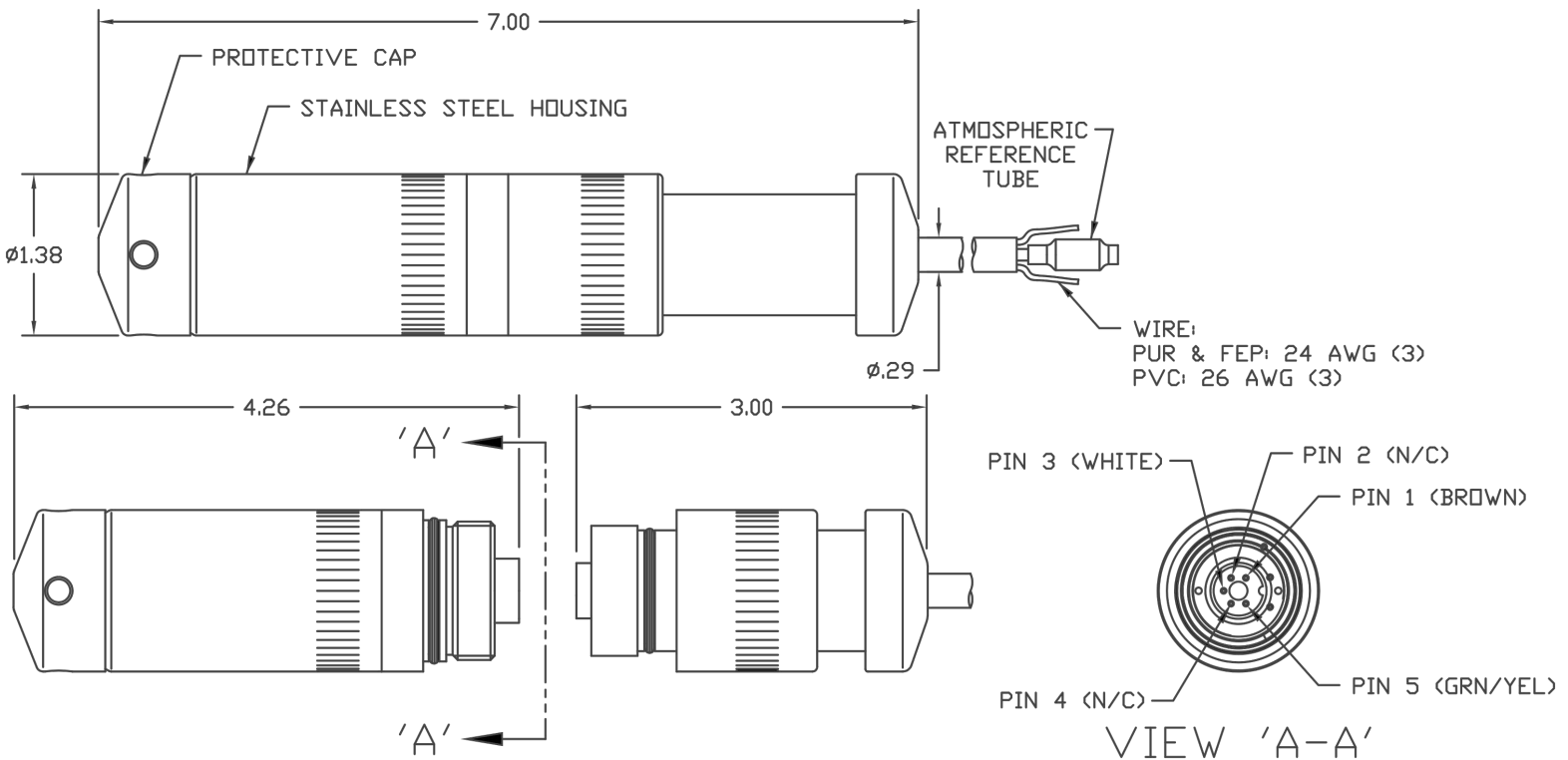
## Connection Diagrams & Wiring

The standard wiring of your Viatran detachable level transmitter is outlined below. The wiring information is also marked on your unit.

The 590 detachable level transmitter can be powered by a DC power supply ranging from 8 to 32 volts. See installation manual for more details.



WIRING		
WHITE	+SUPPLY	PIN 3
BROWN	-SUPPLY	PIN 1
GRN/YEL	SHIELD	PIN 5



Information is accurate to the best of Viatran's knowledge. We reserve the right to change specifications at any time. Please contact Viatran for specific order inquiries.

