

# PT460XL Pressure Sensors

*IDEAL FOR ABRASIVE AND CORROSIVE  
MELT PRESSURE APPLICATIONS*



## Description

The PT460XL Series transducer is a  $\pm 1.0\%$  sensor ideal for abrasive and/or corrosive melt pressure applications requiring simple installation, repeatability and reliability. The PT460XL transducers provide the industry standard 3.33 mV/V signal designed to work with most pressure indicators. Optional thermocouple or RTD configurations are available to provide melt temperature. The PT460XL features a 1/2-20 UNF thread for installation in standard transducer mounting holes and can be supplied with a variety of electrical connections.

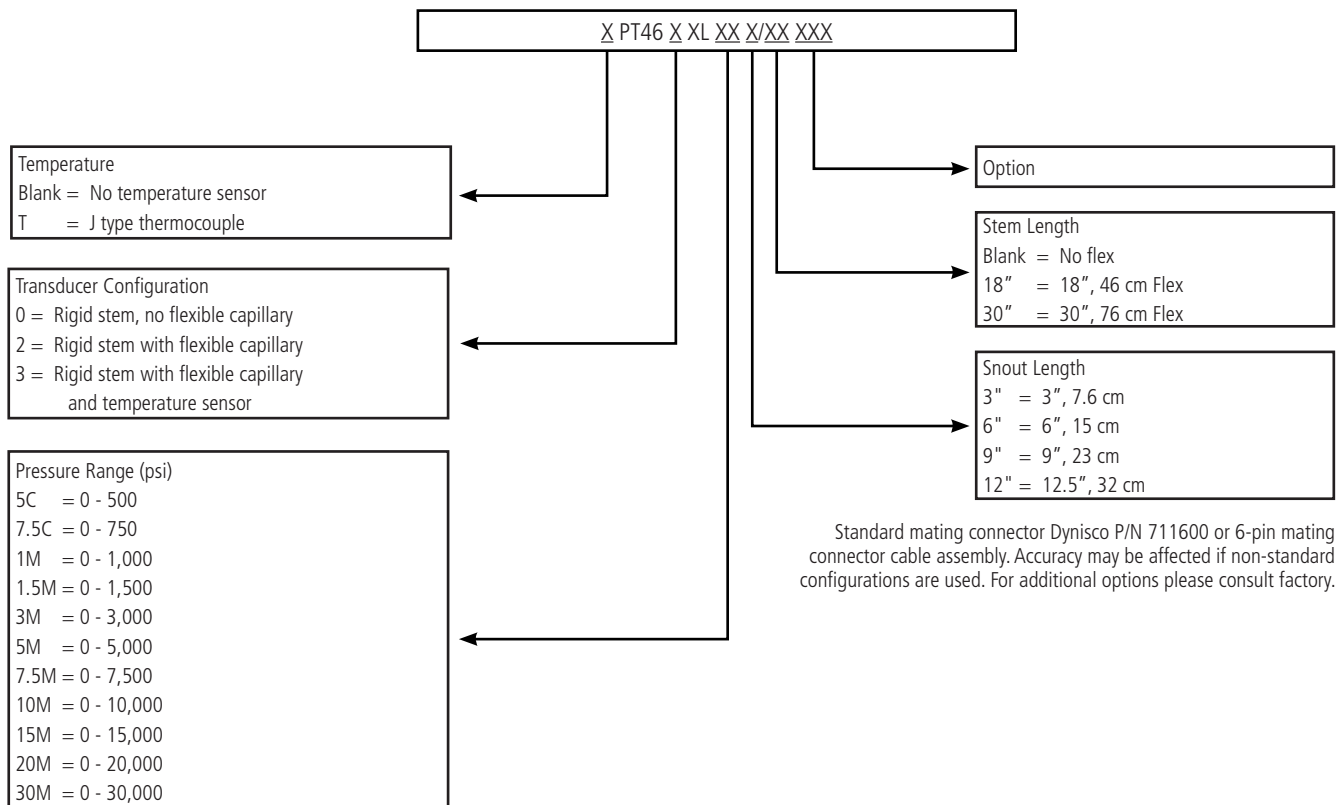
## Features

- Accuracy better than  $\pm 1.0\%$
- Inconel diaphragm
- Superior temperature stability
- Patented sensing element
- 0 - 3,000 to 0 -30,000 psi
- Internal 80% shunt calibration

Performance Characteristics	
Combined Error:	±1.0% FSO, (Including Linearity, Repeatability & Hysteresis)
Repeatability:	±0.2% FSO
Maximum Pressure:	2 x full range or 35,000 psi (whichever is less)
Configuration:	Four active arm bonded Wheatstone bridge strain gage
Bridge Resistance:	Input: 345 Ohms minimum; Output: 350 Ohms ±10%
Output:	3.33 mV/V ±2.0%
Zero Balance:	±10% full scale
Input Voltage:	10 Vdc recommended, 12 Vdc maximum
Internal Shunt Calibration (R-Cal):	80% FSO ±1.0%
Insulation Resistance:	1,000 megohms at 50 Vdc

Temperature & Mechanical Characteristics	
<b>Transducer Diaphragm:</b>	
Maximum Diaphragm Temperature:	750°F (400°C)
Zero Shift (due to temperature change):	<20 psi/100°F maximum (<36 psi/100°C)
<b>Electronics Housing:</b>	
Maximum Temperature:	250°F (121°C)
Zero Shift (due to temperature change):	±0.05% full scale/°F maximum (±0.10% full scale/°C)
Sensitivity Shift (due to temperature change):	±0.02% full scale/°F maximum (±0.04% full scale/°C)
Mounting Torque:	500 inch/lbs. maximum
Standard Wetted Parts:	Inconel 718

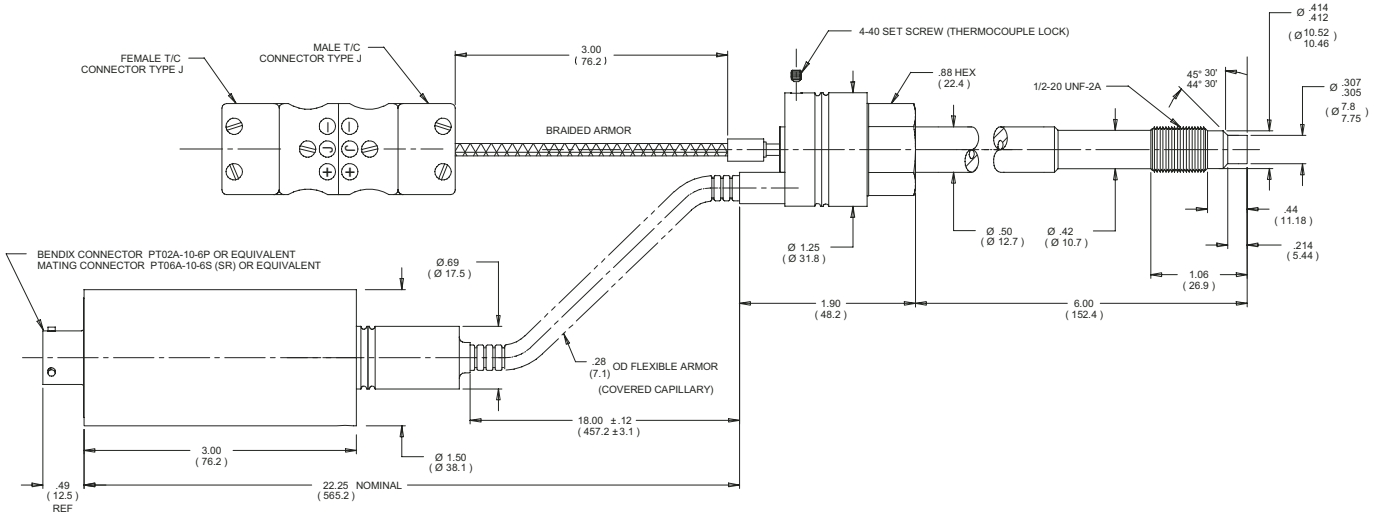
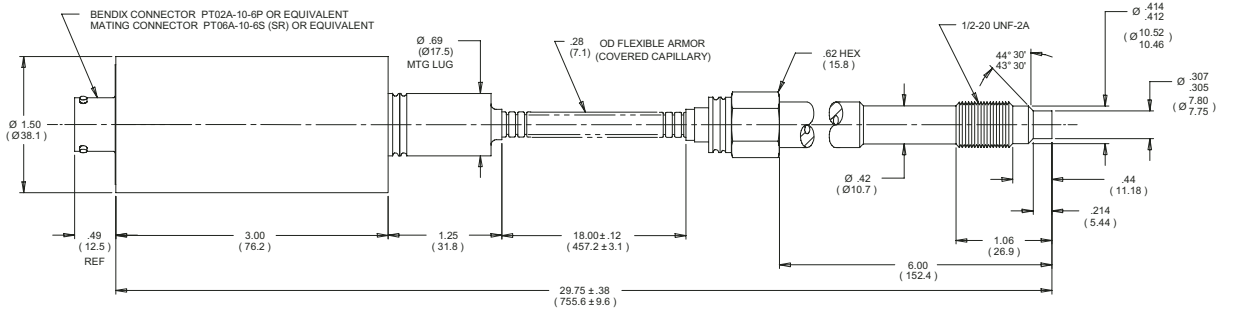
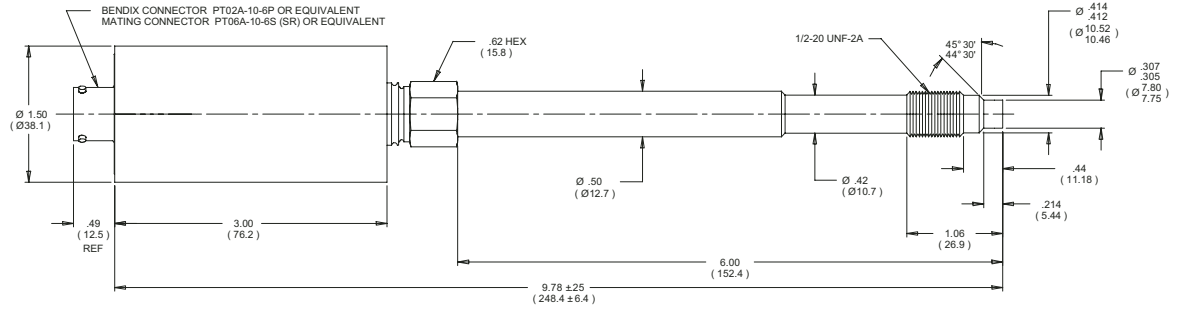
### Ordering Guide for PT460XL Series



# Dimensions

CONNECTOR WIRING	
PIN	FUNCTION
A	SIGNAL +
B	SIGNAL -
C	EXCITATION +
D	EXCITATION -
E	INTERNAL CAL RESISTOR
F	

NOTES  
1. DIMENSIONS ARE IN INCHES (MILLIMETERS)



All dimensions are inches (mm) unless otherwise specified.  
©2016. Dynisco reserves the right to make changes without notice.  
Refer to [www.dynisco.com](http://www.dynisco.com) for access to Operator Manual and other support documentation.  
DSPT460XL  
Rev: 0117

[www.dynisco.com](http://www.dynisco.com)

**Dynisco**  
38 Forge Parkway  
Franklin, MA 02038  
USA  
Hotline 1-800-Dynisco  
www.dynisco.com  
Phone +1 508 541 9400  
Fax +1 508 541 6206  
Email infoinst@dynisco.com

**Dynisco Europe, GmbH**  
Pfaffenstr. 21  
74078 Hellbronn  
Germany  
Phone +49 7131 297 0  
Fax +49 7131 297 166  
Email dyniscoeurope@dynisco.com

**Dynisco Shanghai**  
Building 7A, No. 568  
Longpan Rd Malu  
Jiading, 201801 China  
Phone +86 21 34074072-819  
Toll Free +86 400 728 9117  
Fax +86 21 34074025