

PT460E Series Pressure Sensors

*SIMPLE INSTALLATION,
REPEATABILITY AND RELIABILITY*



Description

The Dynisco PT460E Series transducer is a $\pm 0.5\%$ sensor ideal for melt pressure applications requiring simple installation, repeatability and reliability. The PT460E transducers provide the industry standard 3.33 mV/V signal designed to work with most pressure indicators. The PT460E comes equipped with a six pin bendix connector. Optional thermocouple or RTD configurations are available to provide melt temperature. The PT460E features a 1/2-20 UNF thread for installation in standard transducer mounting holes and can be supplied with a variety of other electrical connections if desired.

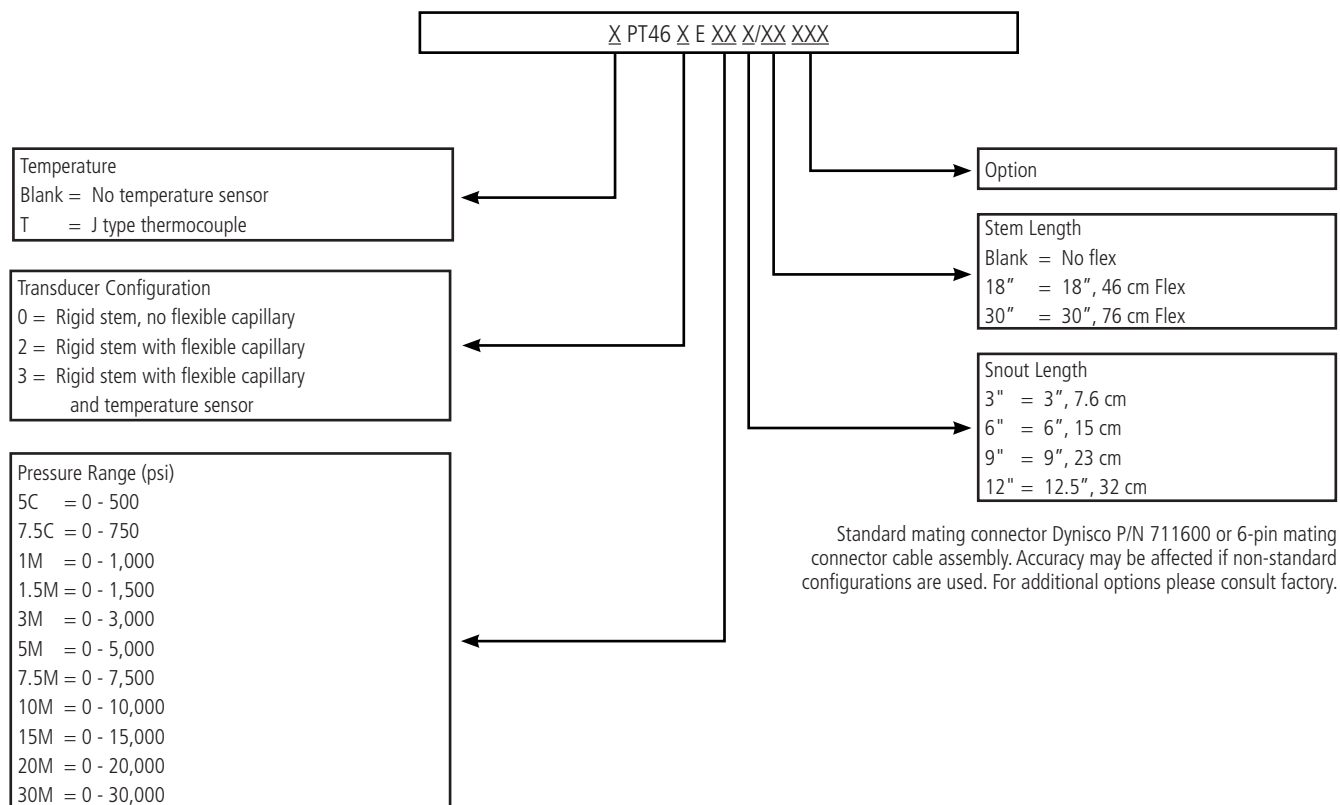
Features

- Accuracy better than $\pm 0.5\%$
- DyMax® coated stainless steel wetted parts
- Proven sensor design
- 0 - 500 to 0 -30,000 psi
- Internal 80% shunt calibration

Performance Characteristics	
Combined Error:	±0.5% FSO, (Including Linearity, Repeatability & Hysteresis)
Repeatability:	±0.2% FSO
Over Pressure:	2 x FSO or 35,000 psi (whichever is less)
Configuration:	Four active arm bonded Wheatstone bridge strain gage
Bridge Resistance:	Input: 345 Ohms minimum; Output: 350 Ohms ±10%
Output:	3.33 mV/V ±2.0%
Zero Balance:	±10% full scale
Input Voltage:	10 Vdc recommended, 12 Vdc maximum
Internal Shunt Calibration (R-Cal):	80% FSO ±1.0%
Insulation Resistance:	1,000 megohms at 50 Vdc

Temperature & Mechanical Characteristics	
Transducer Diaphragm:	
Maximum Diaphragm Temperature:	750°F (400°C)
Zero Shift (due to temperature change):	25 psi/100°F maximum (45 psi/100°C)
Electronics Housing:	
Maximum Temperature:	250°F (121°C)
Zero Shift (due to temperature change):	±0.05% full scale/°F maximum (±0.10% full scale/°C)
Sensitivity Shift (due to temperature change):	±0.02% full scale/°F maximum (±0.04% full scale/°C)
Mounting Torque:	500 inch/lbs. maximum
Standard Wetted Parts:	Dymax® coated 15-5 PH SST

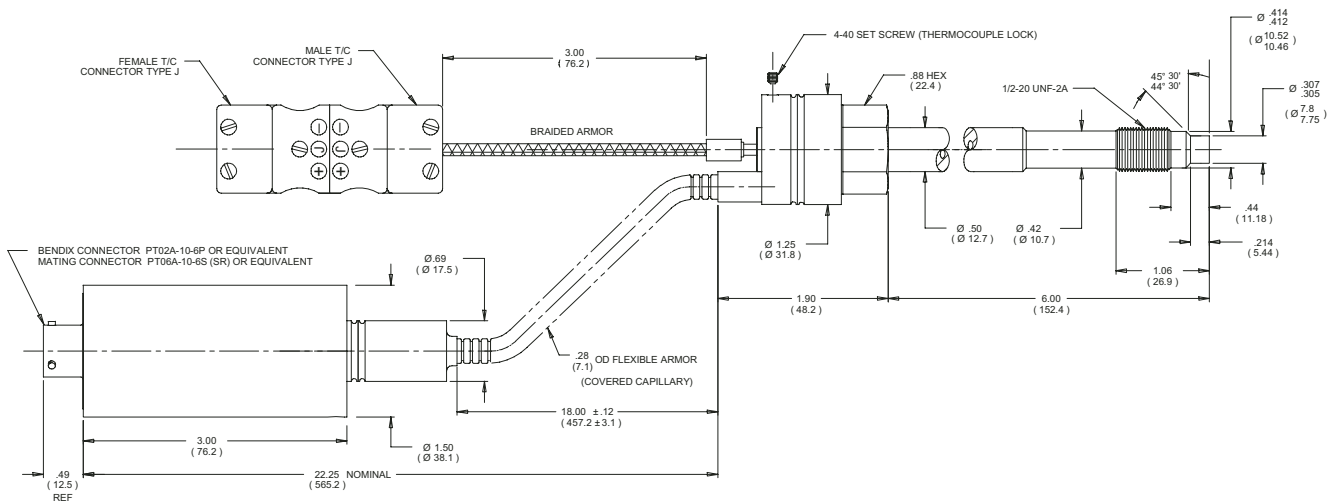
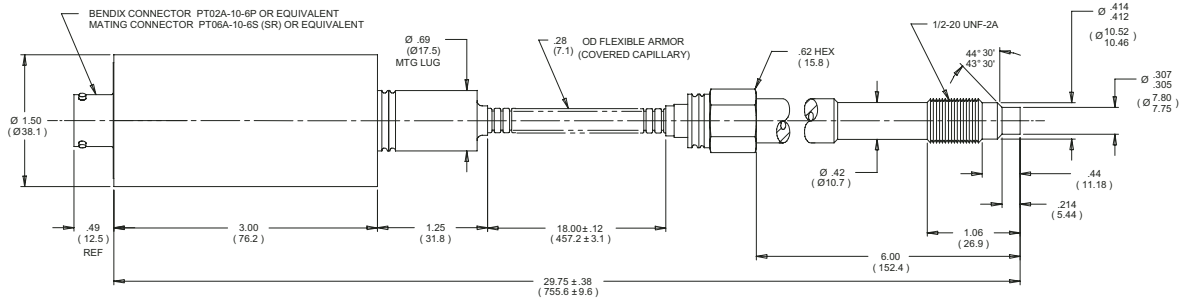
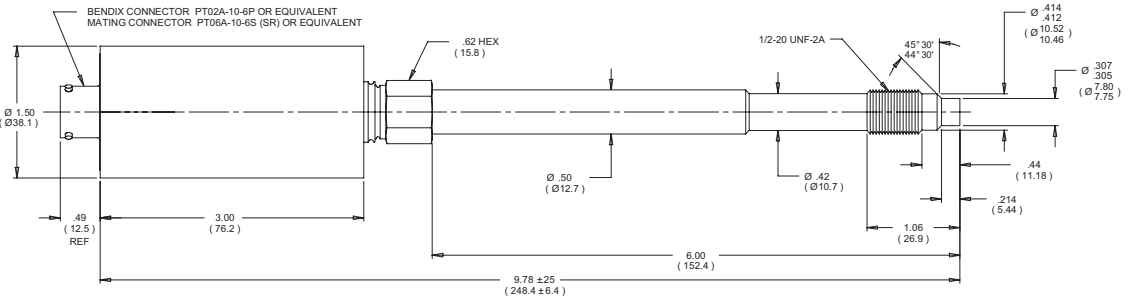
Ordering Guide for PT460E Series



Dimensions

CONNECTOR WIRING	
PIN	FUNCTION
A	SIGNAL +
B	SIGNAL -
C	EXCITATION +
D	EXCITATION -
E	INTERNAL CAL RESISTOR
F	

NOTES
1. DIMENSIONS ARE IN INCHES (MILLIMETERS)



All dimensions are inches (mm) unless otherwise specified.
©2016. Dynisco reserves the right to make changes without notice.
Refer to www.dynisco.com for access to Operator Manual and other support documentation.
DSPT460E
Rev: 0717

www.dynisco.com

Dynisco
38 Forge Parkway
Franklin, MA 02038
USA
Hotline 1-800-Dynisco
www.dynisco.com
Phone +1 508 541 9400
Fax +1 508 541 6206
Email info@dynisco.com

Dynisco Europe, GmbH
Pfaffemstr. 21
74078 Hellbronn
Germany
Phone +49 7131 297 0
Fax +49 7131 297 166
Email dyniscoeurope@dynisco.com

Dynisco Shanghai
Building 7A, No. 568
Longpan Rd Malu
Jiading, 201801 China
Phone +86 21 34074072-819
Toll Free +86 400 728 9117
Fax +86 21 34074025