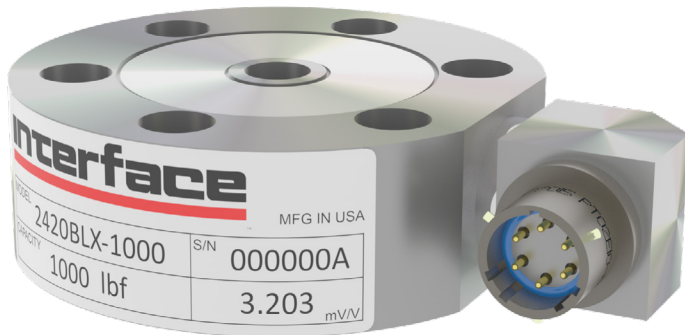


2400 STANDARD STAINLESS STEEL LOAD CELL (U.S. & METRIC)

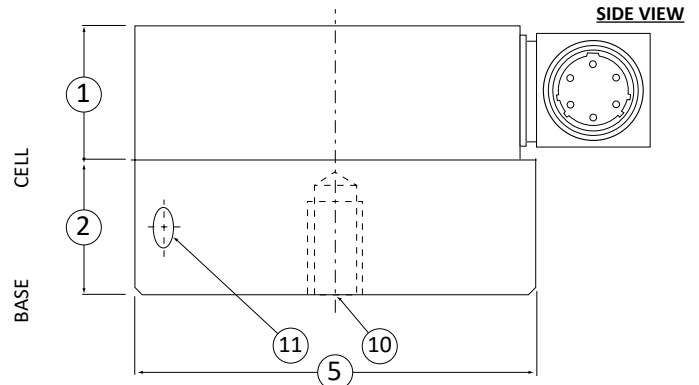
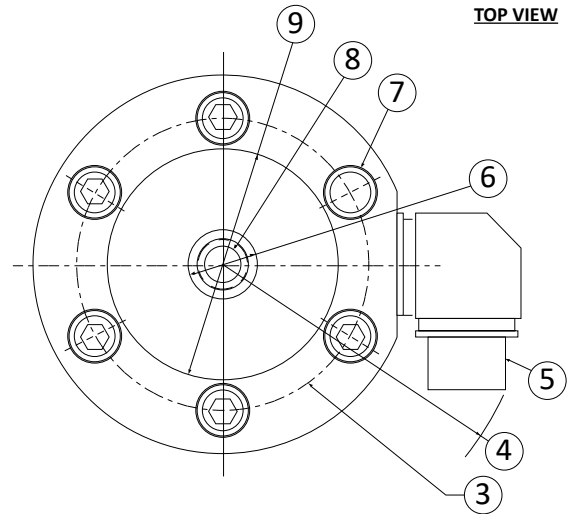
FEATURES & BENEFITS

- Capacities from 100 to 5K lbf (0.44 to 22.2 kN)
- Proprietary Interface temperature compensated strain gages
- Stainless steel construction
- Hermetically sealed
- Tension and compression
- Compact size
- Counterbored mounting holes

STANDARD CONFIGURATION



Model 2420BLX-1000 (shown)



(Shown with optional tension base)

DIMENSIONS

| See Drawing | MODEL | | | |
|-------------|-------------------------------------|------------------------|-------------------------------------|-------------|
| | 2420 | | 2430 | |
| | CAPACITY | | | |
| | U.S. (lbf) | Metric (kN) | U.S. (lbf) | Metric (kN) |
| | 100, 250, 500, 1K | 0.44, 1.11, 2.22, 4.45 | 2K, 5K | 8.9, 22.2 |
| | in | mm | in | mm |
| (1) | 1.00 | 25.4 | 1.00 | 25.4 |
| (2) | 1.00 | 25.4 | 1.00 | 25.4 |
| (3) | 2.25 | 57.2 | 2.63 | 66.7 |
| (4) | 2.43 | 61.7 | 2.68 | 68.1 |
| (5) | 3.00 | 76.2 | 3.50 | 88.9 |
| (6) | 0.55 | 14.0 | 0.81 | 20.5 |
| (7) | Counterbored for ¼-28 SHCS 6 Places | | Counterbored for ⅜-24 SHCS 6 Places | |
| (8) | ⅜-24 UNF-3B THRU | | ½-20 UNF-3B THRU | |
| (9) | 1.81 | 46.0 | 2.07 | 52.5 |
| (10) | ⅜-24 UNF | | ½-20 UNF | |
| | ↓ 0.70 | ↓ 17.8 | ↓ 0.70 | ↓ 17.8 |
| (11) | Spanner holes 2 SPACED @ 180° | | | |

* Metric dimensions and capacities are provided for conversion only. Standard product will be sold in lbf and U.S. dimensions. Metric capacities available upon special request and at an additional cost.

2400 STANDARD STAINLESS STEEL LOAD CELL (U.S. & METRIC)

SPECIFICATIONS

| PARAMETERS | | MODEL | |
|-----------------------------------|-------------|----------------------------|-------------|
| | | 2420 | 2430 |
| | | CAPACITY | |
| Measuring Range | U.S. (lbf) | 100, 250, 500, 1K | 2K, 5K |
| | Metric (kN) | 0.44, 1.11, 2.22, 4.45, | 89, 22.2 |
| ACCURACY – (MAX ERROR) | | | |
| Static Error Band – %FS | | ±0.10 | ±0.10 |
| Nonlinearity – %FS | | ±0.10 | ±0.10 |
| Hysteresis – %FS | | ±0.08 | ±0.08 |
| Non-repeatability – %RO | | ±0.02 | ±0.02 |
| Creep, in 20 min – % | | ±0.05 | ±0.05 |
| TEMPERATURE | | | |
| Compensated Range | °F | +15 to +115 | +15 to +115 |
| | °C | -10 to +45 | -10 to +45 |
| Operating Range | °F | -65 to +200 | -65 to +200 |
| | °C | -55 to +90 | -55 to +90 |
| Effect on Zero – %RO / °F MAX | | ±0.002 | ±0.002 |
| Effect on Output – %RO / °F MAX | | ±0.002 | ±0.002 |
| ELECTRICAL | | | |
| Rated Output – mV/V (Nominal) | | 3.0 | 3.0 |
| Excitation Voltage – VDC MAX | | 15 | 15 |
| Bridge Resistance – Ohm (Nominal) | | 350 | 350 |
| Zero Balance – %RO | | ±2.0 | ±2.0 |
| Insulation Resistance – Megohm | | 5000 | 5000 |
| MECHANICAL | | | |
| Safe Overload – %CAP | | ±150 | ±150 |
| Deflection @ RO | in | 0.003, 0.002, 0.002, 0.002 | 0.002 |
| | mm | 0.076, 0.051, 0.051, 0.051 | 0.051 |
| Optional Base – P/N | | B318-2 | B319-2 |
| Natural Frequency – kHz | | 2.2, 4.4, 6.0, 8.3 | 9.1, 11.7 |
| Weight | lbs | 1.5 | 2.0 |
| | kg | 0.68 | 0.91 |
| Seal | | Glass-metal hermetic | |
| Material | | Stainless steel | |

OPTIONS

- Submersible with integral cable
- Base (recommended)
- Transducer Electronic Data Sheet (TEDS)
- Custom calibration
- Special threads
- Special temperature range

CONNECTOR OPTIONS

- PTWIH-10-6P

ACCESSORIES

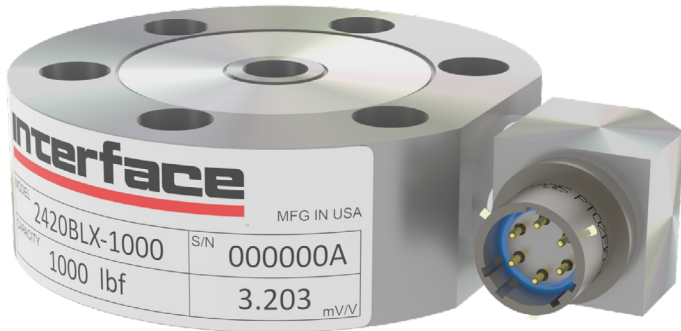
- Mating connector
- Instrumentation
- Loading hardware
- Mating cable

* Metric dimensions and capacities are provided for conversion only. Standard product will be sold in lbf and U.S. dimensions. Metric capacities available upon special request and at an additional cost.

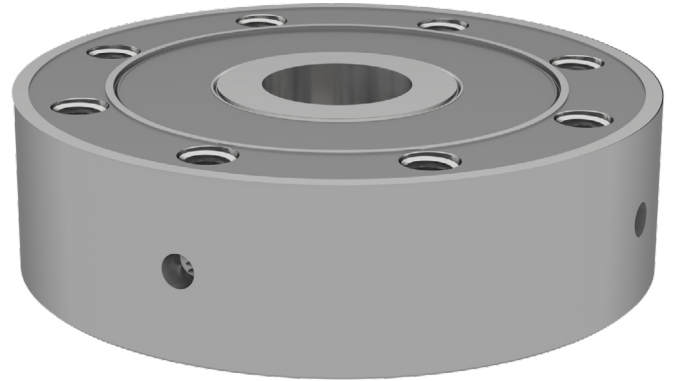
2400 STANDARD STAINLESS STEEL LOAD CELL (U.S. & METRIC)

BAYONET CONNECTOR

BASE



Model 2420BLX-1000



Model B3XXX

