

## TXY MULTI-AXIS LOAD CELL (U.S. & METRIC)

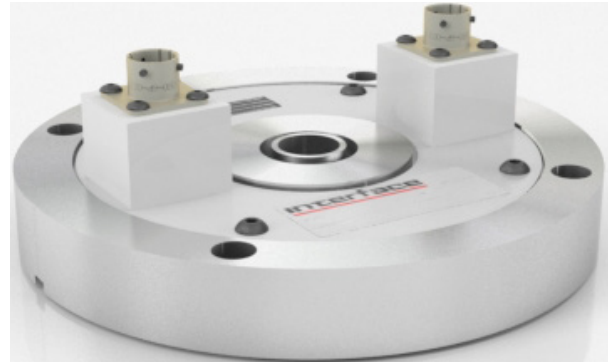
### FEATURES & BENEFITS

- Measures X & Y forces
- Low crosstalk – <1.0%
- Linearity 0.1%
- Mating cable supplied. Right angle plug MS3108E14S-5S.
- 4 Keys supplied

### SPECIFICATIONS

ACCURACY – (MAX ERROR)		
Side Force Capacity	lbf	500
	N	2.22K
Radial Force Capacity	lbf	1K, 1.5K, 2K
	N	4.45K, 6.67K, 89K
Rated Output – mV/V ± %		2 ±0.25
Nonlinearity – %FS		± 0.1
Hysteresis – %FS		± 0.1
Nonrepeatability – %FS		±0.05
TEMPERATURE		
Temperature Effect on Zero – %RO / °F		±0.002
Temperature Effect of Output – % / °F		±0.002
Compensated Range	°C	+21.11 to +76.67
	°F	+70 to +170
Operating Range	°C	-53.89 to +93.33
	°F	-65 to +200
ELECTRICAL		
Input Resistance (nominal) – Ω		350
Output Resistance (nominal) – Ω		350
Insulation Resistance (50 VDC) – MΩ		5000
MECHANICAL		
Safe Overload – %CAP		150
Weight	lbs	6.81
	kg	3.1
Material		Alloy Steel

### STANDARD CONFIGURATION

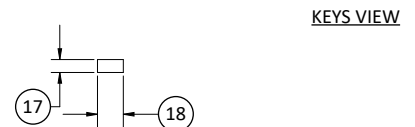
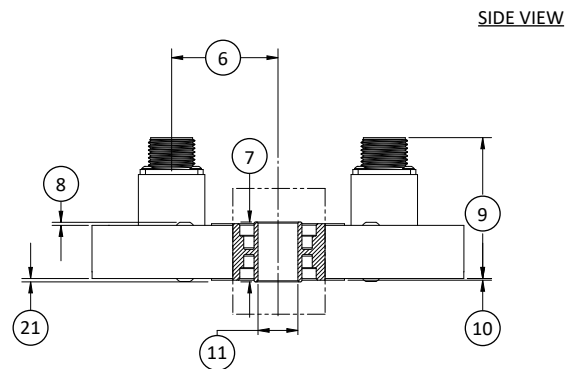
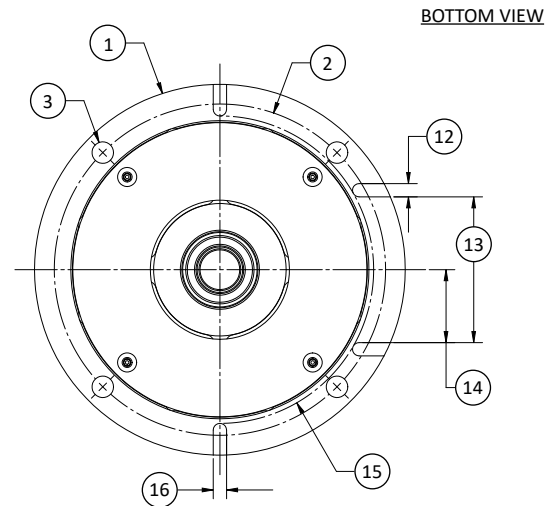
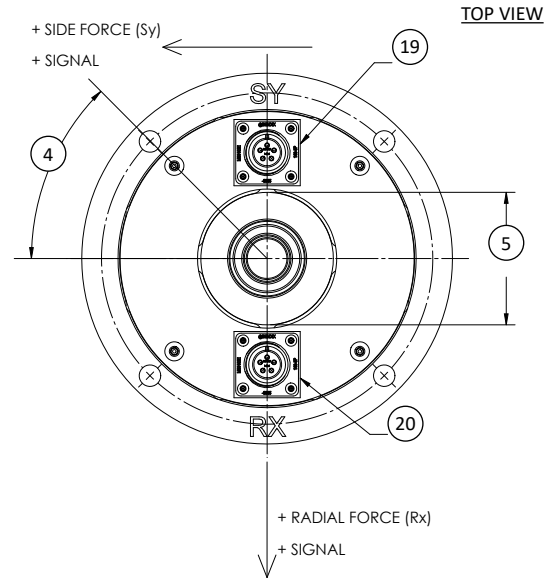


Model TXY (shown)

## TXY LOAD CELL (U.S. & METRIC)

### DIMENSIONS

See Drawing	U.S. in	Metric mm
1	$\varnothing 7.00$	$\varnothing 177.8$
2	$\varnothing 6.25$	$\varnothing 158.8$
3	$\varnothing 0.406$ THRU 4 Holes EQ SP	$\varnothing 10.3124$ THRU 4 Holes EQ SP
4	45°	
5	$\varnothing 2.50$ TYP	63.5
6	2.0	51
7	1.1250 ( $\pm 0.001$ )	28.575 ( $\pm 0.03$ )
8	0.06	1.5
9	2.65	67.3
10	0.031	0.79
11	$\varnothing(0.7500/0.7495)$ THRU	$\varnothing(19.050/19.037)$ THRU
12	0.250 ( $+0.001/-0.000$ ) TYP	6.35 ( $+0.03/-0.00$ ) TYP
13	2.750 ( $\pm 0.001$ )	69.85 ( $\pm 0.03$ )
14	1.375 ( $\pm 0.0005$ )	34.93 ( $\pm 0.0127$ )
15	r 2.900	r 73.66
16	0.251	6.38
17	0.250 ( $+0.000/-0.002$ )	6.35 ( $+0.000/-0.05$ )
18	0.50	12.7
19	Sy – Side force	
20	Rx – Radial force	
21	BEARING OFFSET	



Datasheet TXY v2.0 03-29-2018

\* Metric dimensions and capacities are provided for conversion only. Standard product will be sold in lbf and U.S. dimensions. Metric capacities available upon special request and at an additional cost.