

LWMH1 THRU-HOLE LOAD CELL (U.S. & METRIC)

FEATURES & BENEFITS

- Capacities from 0.2 to 10 kN (45 to 2.25K lbf)
- Ideal for press force control and measurement
- Mounting holes for installation

SPECIFICATIONS

| ACCURACY - (MAX ERROR) | | |
|------------------------------|----|-------------|
| Nonlinearity – %FS | | ±1 |
| Hysteresis – %FS | | ±1 |
| Non-repeatability – %RO | | ±0.3 |
| Creep, in 30 mon – % | | ±0.1 |
| TEMPERATURE | | |
| Effect on Zero – %RO / °C | | ±0.02 |
| Effect on Output – %RO / °C | | ±0.02 |
| Compensated Range | °C | 0 to +60 |
| | °F | +32 to +140 |
| Operating Range | °C | -10 to +70 |
| | °F | +14 to +158 |
| ELECTRICAL | | |
| Output – mV/V ± % | | 1 ± 20 |
| Excitation Voltage – VDC | | 2 - 12 |
| Bridge Resistance – Ohm | | 350 |
| MECHANICAL | | |
| Safe Overload – %RO | | 150 |
| Deflection at Rated Capacity | mm | < 0.15 |
| | in | < 0.006 |
| IP Rating | | IP60 |
| Material | | Aluminum |

OPTIONS

- Cable length
- Custom calibration
- Standardized output
- Add connector to cable
- Special temperature range
- Internal shunt resistor – 100% output
- Transducer Electronic Data Sheet (TEDS)

CONNECTOR OPTIONS

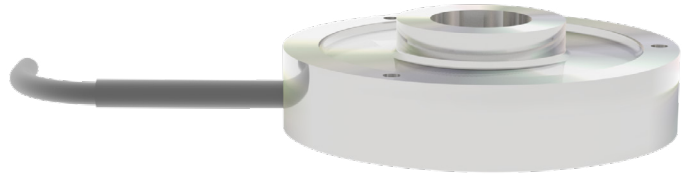
- 3 m (9.8 ft) integral cable

ACCESSORIES

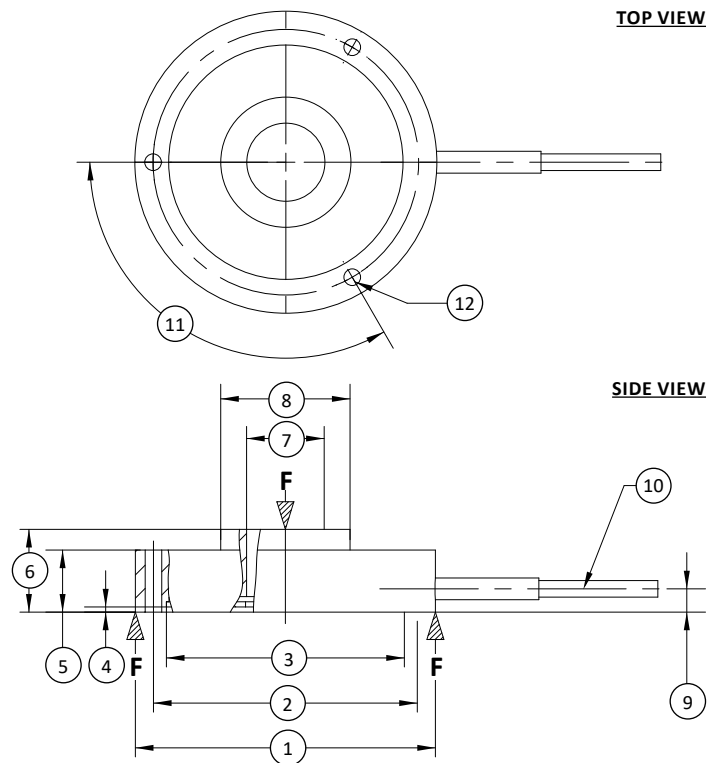
- Instrumentation

* *F* indicates load Direction
 U.S. dimensions and capacities are provided for conversion only. Standard product will be sold in kN and Metric dimensions. U.S. capacities available upon special request and at an additional cost.

STANDARD CONFIGURATION



Model LWMH1 (Shown)



DIMENSIONS

| See Drawing | CAPACITY | |
|-------------|-----------------------|--------------------------|
| | Metric (kN) | U.S. (lbf) |
| | 0.2, 0.5, 1, 2, 5, 10 | 45, 112, 225, 450, 2.25K |
| | mm | in |
| (1) | ∅58 2.3 | ∅2.3 |
| (2) | ∅51 2.0 | ∅2.0 |
| (3) | ∅46 1.8 | ∅1.8 |
| (4) | 1 | ∅0.04 |
| (5) | 12 | 0.5 |
| (6) | 16 | 0.6 |
| (7) | ∅15 | ∅0.6 |
| (8) | ∅25 | ∅1.0 |
| (9) | 4.5 | 0.2 |
| (10) | ∅3.2 | ∅0.1 |
| (11) | 3 X 120° | |
| (12) | 3 x ∅3.2 | 3 x ∅0.13 |