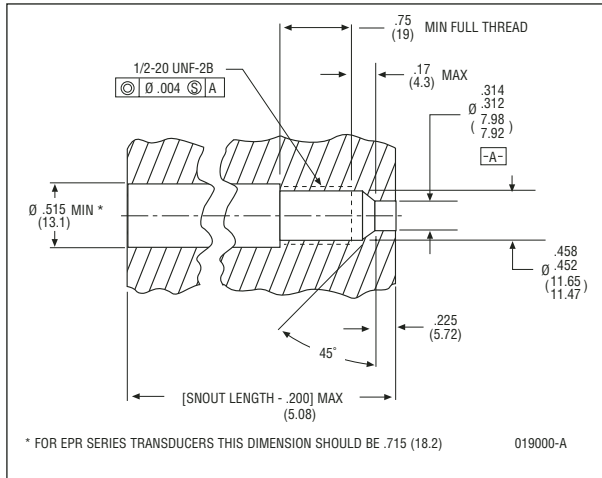
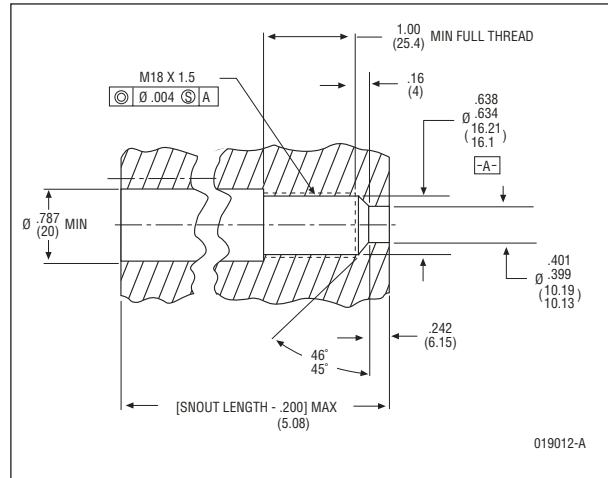


# MOUNTING HOLE DETAILS

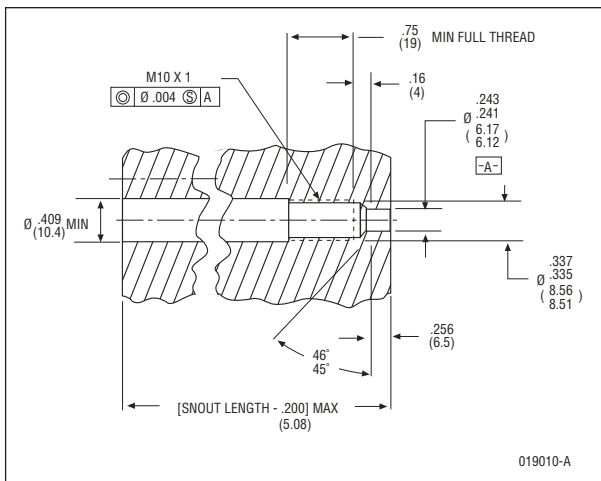
Mounting hole details are shown for standard configurations, please consult factory for details for custom thread configurations. Please note all dimensions are in inches (millimeters).



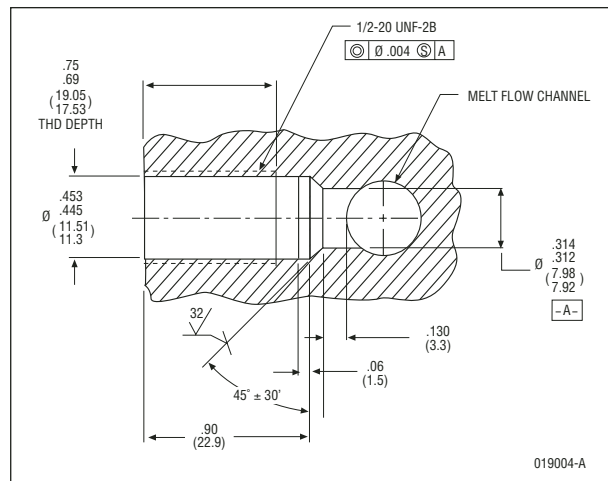
Melt Pressure Transducers with 1/2-20 Thread



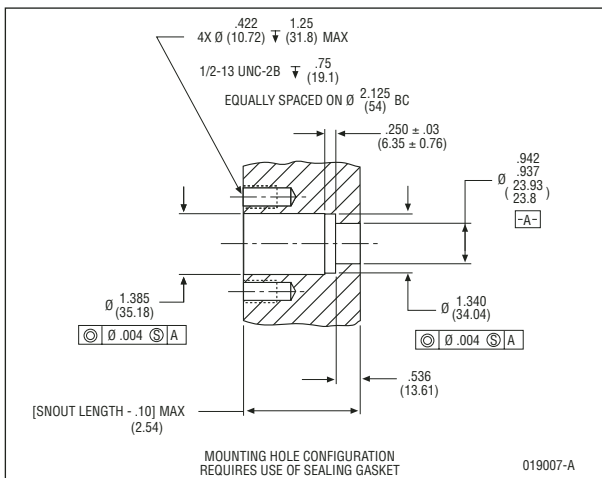
Melt Pressure Transducers with M18 X 1.5 Thread



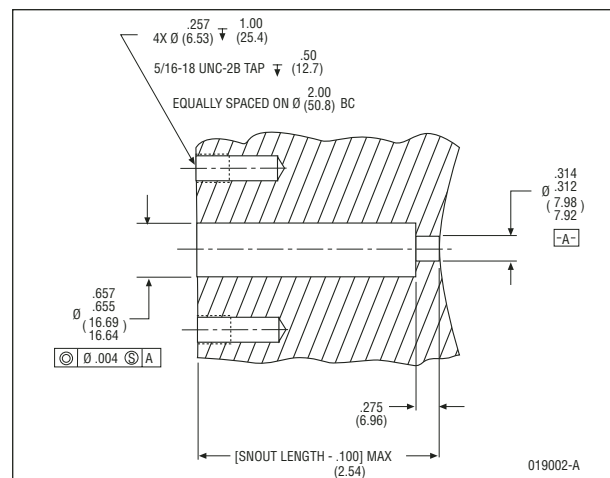
Melt Pressure Transducers with M10 X 1 Thread



Models PT467, PT435, SPX4672, SPX4352



Model PT450FA, SPX 4502 (Ø2.125 BC)



Model 243, SPX2243 (Ø2.00 BC)